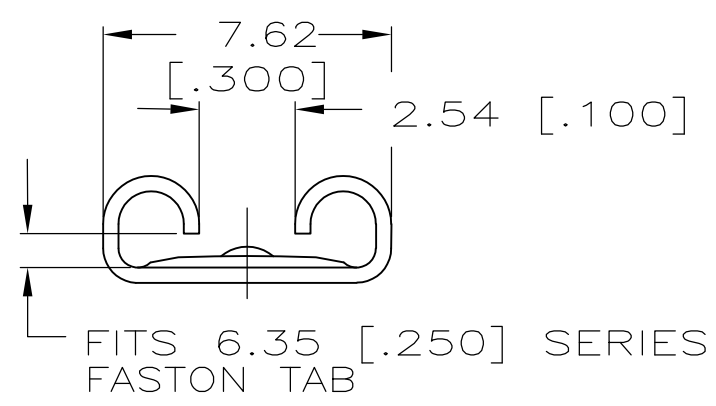
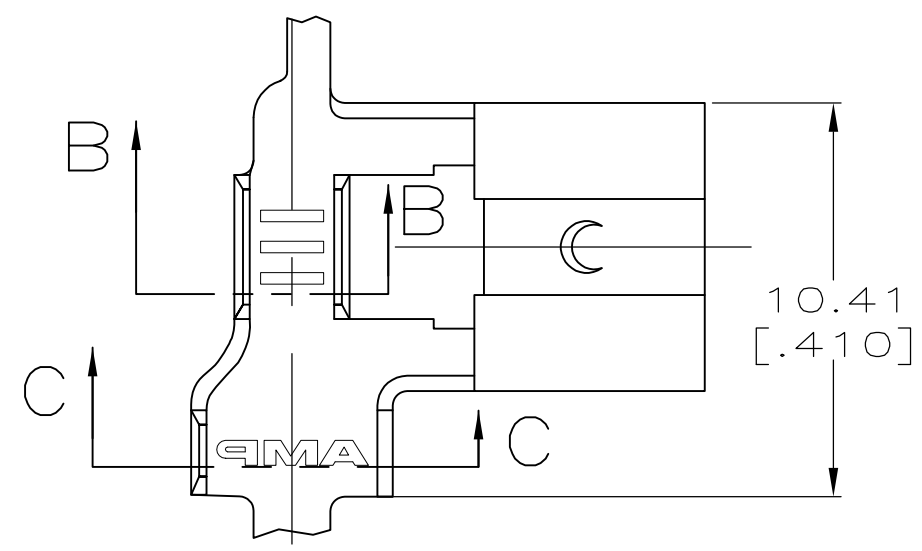


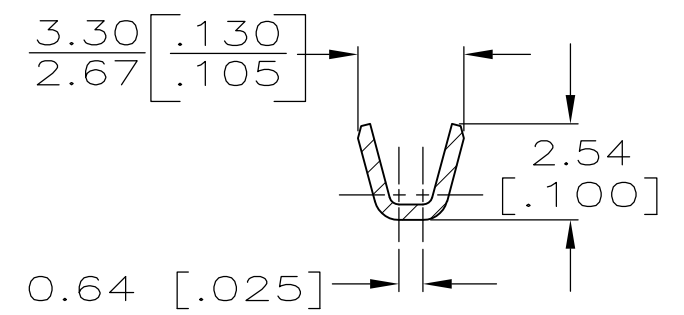
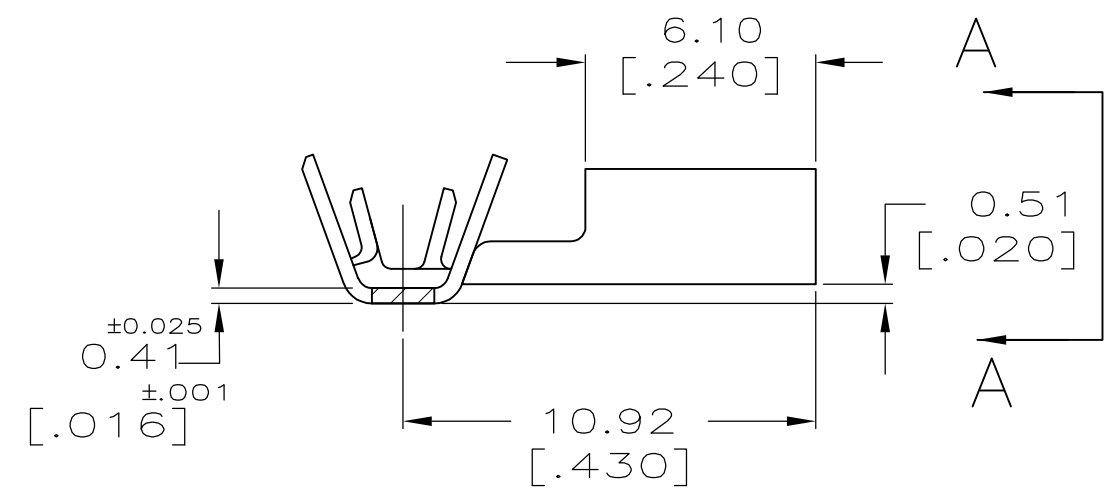
THIS DRAWING IS UNPUBLISHED. RELEASED FOR PUBLICATION
 © COPYRIGHT - By - ALL RIGHTS RESERVED.

LOC	DIST	REVISIONS					
AF	50	P	LTR	DESCRIPTION	DATE	DWN	APVD
		F		REVISED PER ECR-12-013459	27NOV2012	KH	PD

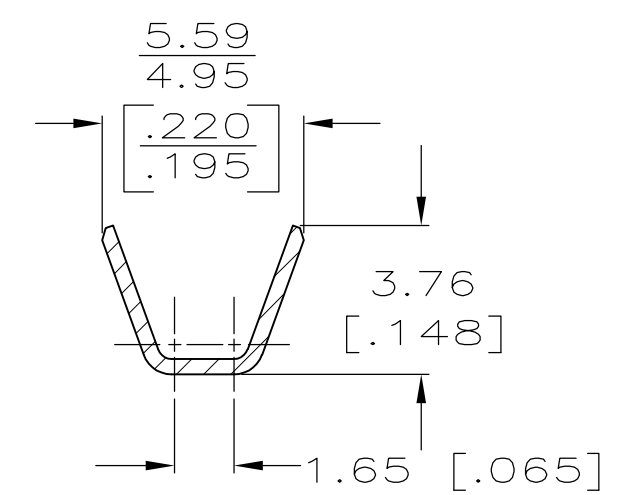


1 CONTINUOUS STRIP ON REELS.

VIEW A-A




SECTION B-B



SECTION C-C

TIN	1.52-2.54 [.060-.100] DIA	0.3-0.9mm ² [22-18] AWG	0.81 [.032]	62814-2 62814-1
FINISH	INSUL RANGE	WIRE SIZE	MATING TAB THK ±0.025 [.001]	PART NO

THIS DRAWING IS A CONTROLLED DOCUMENT.		DWN JR RUTH 4/8/91	 TE Connectivity RECEPTACLE, FASTON, FLAG, 6.35 [.250] SERIES											
DIMENSIONS: mm [INCHES]		CHK MS FEHER 4/8/91												
TOLERANCES UNLESS OTHERWISE SPECIFIED:		APVD C MEYERS 4/8/91												
<table border="0"> <tr><td>0 PLC</td><td>± -</td></tr> <tr><td>1 PLC</td><td>± -</td></tr> <tr><td>2 PLC</td><td>± -</td></tr> <tr><td>3 PLC</td><td>± 0.38 [.015]</td></tr> <tr><td>4 PLC</td><td>± -</td></tr> <tr><td>ANGLES</td><td>± -</td></tr> </table>		0 PLC				± -	1 PLC	± -	2 PLC	± -	3 PLC	± 0.38 [.015]	4 PLC	± -
0 PLC	± -													
1 PLC	± -													
2 PLC	± -													
3 PLC	± 0.38 [.015]													
4 PLC	± -													
ANGLES	± -													
MATERIAL BRASS	FINISH SEE TABLE	APPLICATION SPEC -	WEIGHT -	SIZE A3	CAGE CODE 00779	DRAWING NO C-62814	RESTRICTED TO -							
CUSTOMER DRAWING				SCALE 5:1	SHEET 1 OF 1	REV F								